

REG-DOT-B

Touch screen display with integrated Wifi for use with REG-DIN-8 controller

Description

The Touch screen display is used as a user friendly interface to control the REG-DIN-8 regulator. The display has a Wi-Fi modem on board which allows you to easily connect to the remote control portal. It is possible to use a maximum of two REG-DOT-B for each REG-DIN-8. The display cover is white and removable. The display has a temperature and humidity sensor as standard for managing a room of the system and is also equipped with a type B mini USB port.

Main features

Colour	White	Power supply	12 Vdc
Screen Size	4,3" (109,9 mm)	Temperature sensor	Included
Weight	85,4 gr	Humidity sensor	Included
Dimensions (HxWxD)	87 x 121 x 19 mm	USB port type	Mini B 2.0
Storage temperature	-40...+85°C	Protection class IP	IP00
Temperature of use	-20...+55°C	Display security class	A
Storage and usage humidity	10...90% HR	Wi-Fi modem	Included
Maximum consumption	200 mA / 2,4 V	Wi-Fi Compatibility	802.11

Terms of Use

For safety purposes, the display must be installed and used according to the instructions provided by the manufacturer. The display must be adequately protected from water and dust. Have all installation and maintenance work carried out by qualified personnel. You can clean the display externally using a soft, damp cloth, avoiding solvents or abrasive substances, sharp or cutting objects that could damage the device.

Safety and maintenance information

Never open the white display protection and containment chassis. If the display is damaged when opening the box or if liquid substances have penetrated inside, have it checked at an authorised service centre. Report any faults and/or anomalies immediately. Before carrying out installation, maintenance and repair work on the system, remember to switch off the power supply. Responsibility for installation, maintenance and repair work is borne by the person or organisation carrying out the work. The manufacturer of the system on which the touch display is installed is responsible for arranging the system parts adequately to avoid any possibility of the operator coming into contact with live utilities. It is the responsibility of the manufacturer of the system on which the device is installed to: assess the risks and potential dangerous situations, providing any devices for the safety of the operator; provide an adequate power source to the device in such a way as to ensure its correct operation, respecting the directives of the EN 60204-1 standard. All hardware and/or software modifications and/or tampering carried out on the device or to the safety systems of the final product if they are not expressly authorised, void any responsibility of the manufacturer regarding the "CE" conformity.

We decline all responsibility in the event that:

- the above-mentioned rules are not complied with;
- anomalies or damage to persons and / or things due to improper use of the product occur;
- anomalies or damage to persons and / or things occur due to improper use of the information contained in the manual;
- anomalies or damage to persons and / or things occur due to non-compliance with the rules and instructions indicated in this documentation.

Disposal regulations

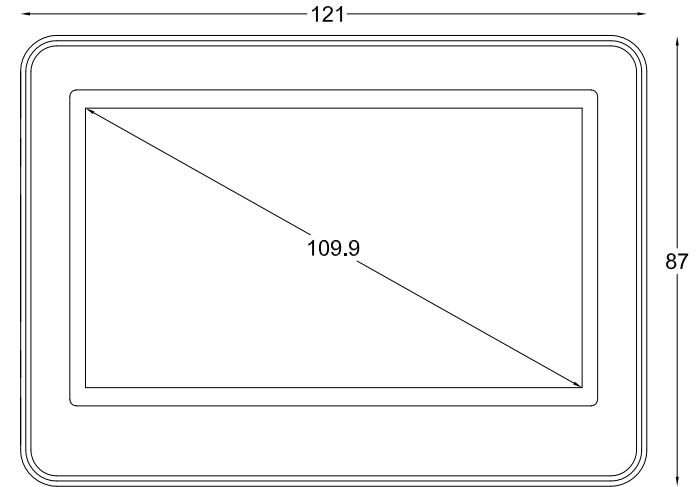


Disposal of electrical and electronic products at the end of the cycle of use

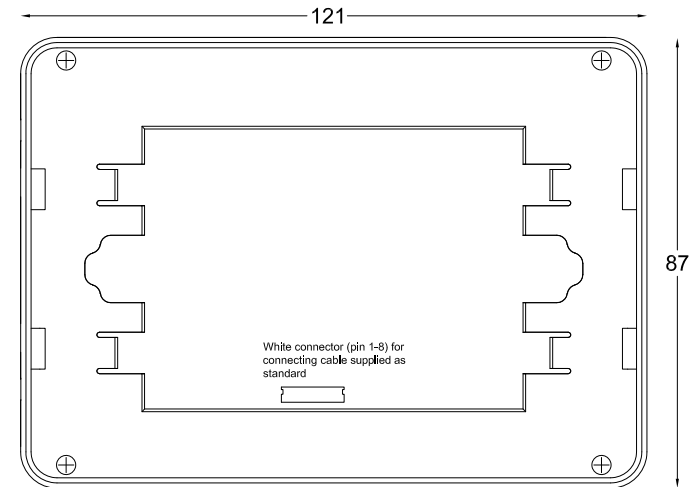
The symbol of the crossed-out bin above indicates that the product at the end of its useful life must be collected separately. Do not dispose of the device in household waste bins. Check local regulations for further information on product disposal.

Touch screen display with integrated Wifi for use with REG-DIN-8 controller

Front View Touch Screen Display with dimensional



Back View Touch Screen Display with dimensional



REG-DOT-B

Touch screen display with integrated Wifi for use with REG-DIN-8 regulator

Mechanical Assembly

The display is designed for wall mounting using the appropriate rear plate supplied. Avoid mounting the display in places subject to high humidity and/or dirt; in fact, it is suitable for use in environments with ordinary or normal pollution. Make sure that the area near the temperature and humidity sensor (bottom right of the display) is well ventilated.

Inside the box there are 4 components necessary for the correct installation of the touch screen display:

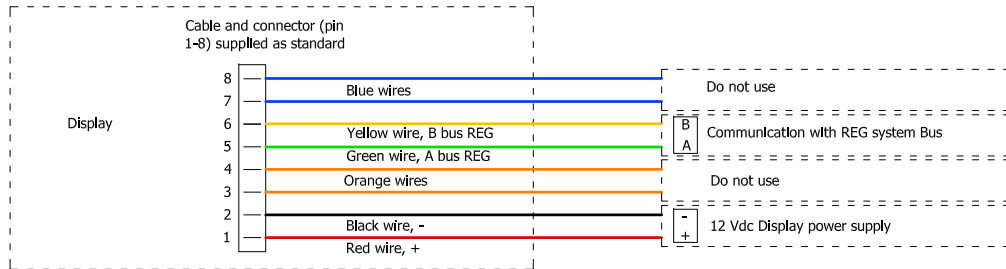


1. White Mask
2. REG-DOT-B
3. DOT-A series cable (the cable has 8 wires, but only 4 has to be used: 2 for power supply and 2 for bus REG communication with REG-DIN-8)
4. Rear plate with 4 screws

The steps necessary for correct installation of the display will be illustrated below.

Note: do not use orange and blu wires!

Attention! Operate electrical connections always and only with power supply OFF. The connector to connect the supplied cable to is located on the back of the display (white 8-pole connector). Make sure that the voltage of the power supply (black wire "-" and red wire "+") complies with that required by the display. The yellow and green wires (with the addition of an extension provided by the installer) must be connected to the bus communication of the REG system respecting the "in-out" connection.



Configuration of the Second REG-DOT-B

It is possible to connect two REG-DOT-B to the same REG-DIN-8. All REG-DOT-B are sold as touch screen displays 1, consequently only if two touch screen displays are connected to the same REG-DIN-8 at the same time, only for the second display is it necessary to carry out the following procedure:

- power ON the touch screen display 2
- select the Settings Button
- select the Advanced Settings Button (which may be password protected)
- select the Alpha/Beta Mode Switch Button
- click on Confirm

Make sure display 2 is enabled on the regulator before performing the above procedure.

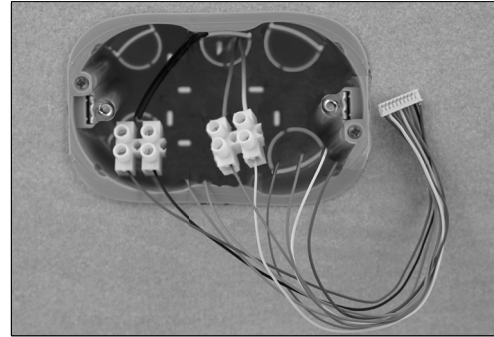
Remote control

The REG-DOT-B includes unlimited access over time to the Remote control portal (s5a.eu) in the Basic version, while access to PRO services can be purchased separately.

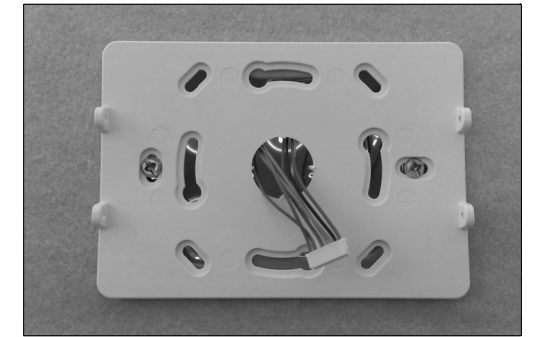
The information on the data (System Code and Password) needed to connect to the remote control portal are given in the Wi-Fi Connection menu (from the Home page, click on Settings) which can be accessed once the installation phase and display and REG controller configuration has been completed. *If there are two touch screen displays, only display 1 can go online.*

Touch screen display with integrated Wifi for use with REG-DIN-8 regulator

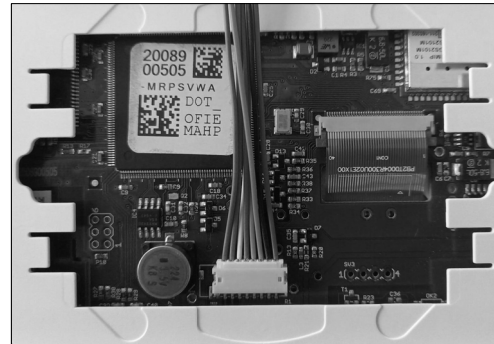
1. Splice the power supply and REG bus communication with the respective wires of the cable supplied as standard to the touch screen display as indicated in the previous diagram.



2. Mount the rear plate (using two field supplied screws) on the 503 plate, allowing the end with the white connector of the DOT-A cable to pass through the central hole.



3. Before attaching the display to the backplate, connect the white connector end of the DOT-A to the back of the display as shown in the image below.



4. Fully insert the cable into the hole in the plate and secure the display to the rear plate using the 4 screws supplied with the plate.



5. Cover the display with the supplied white mask.

